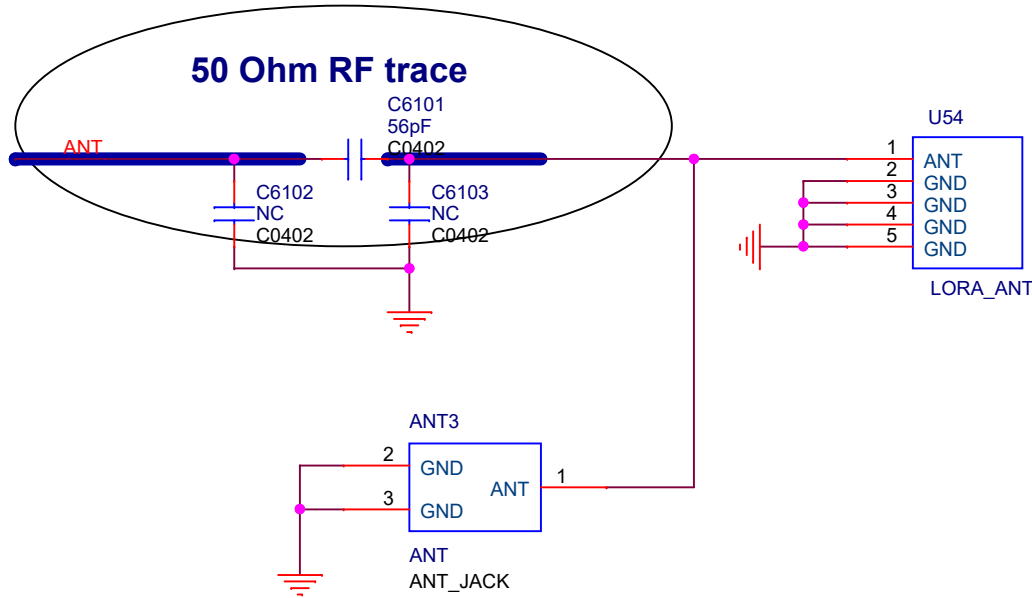




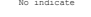


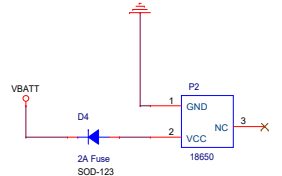
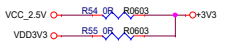
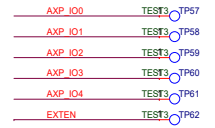
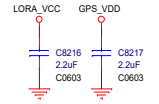
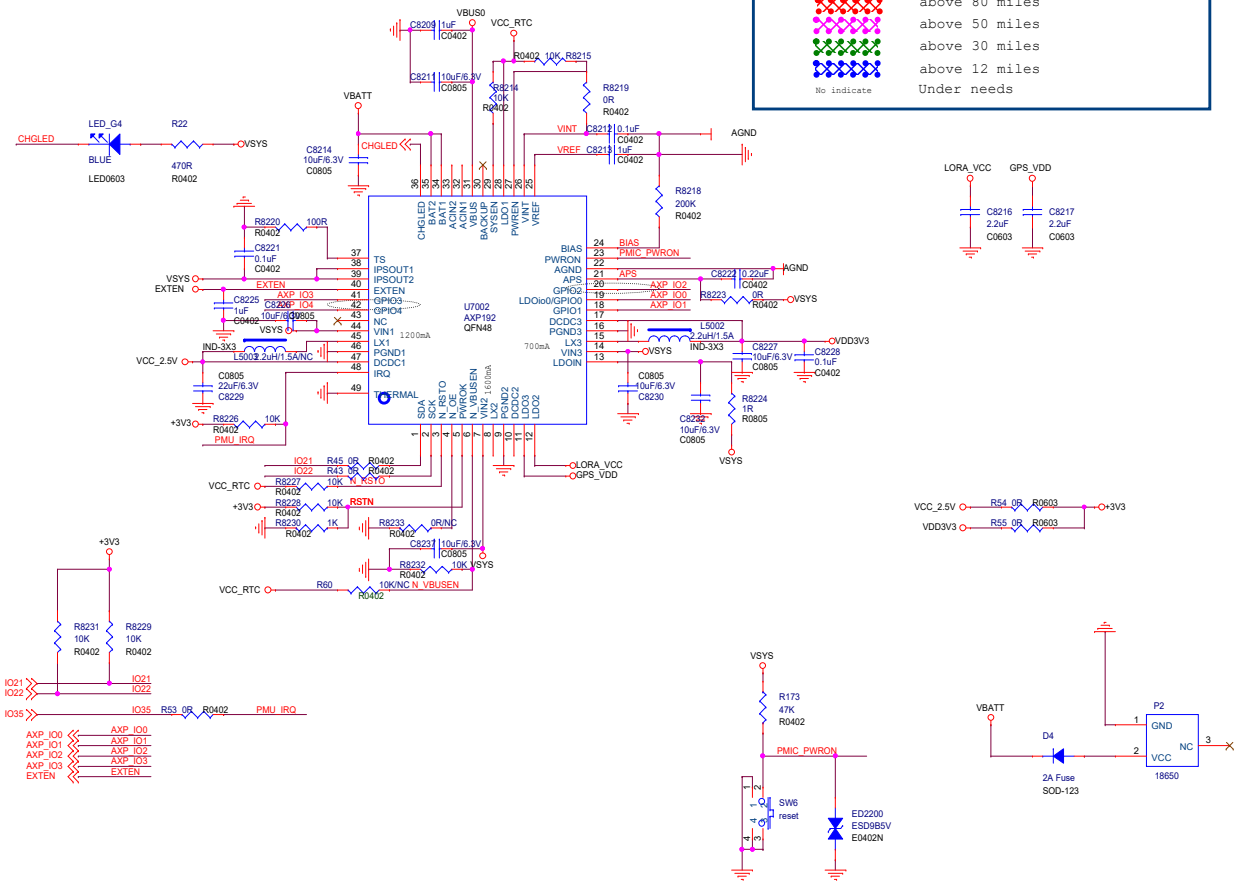
IO23=IRQ/RESET
IO18=NSS/SEL
IO5=SCK
IO27=MOSI/SDI
IO19=MISO/SDO
IO26=DI0/IO0

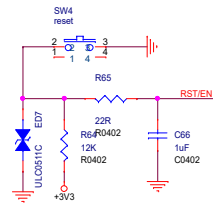
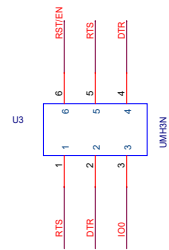
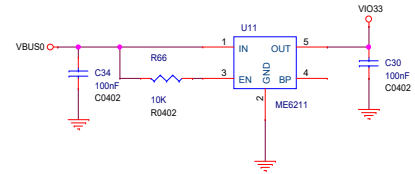
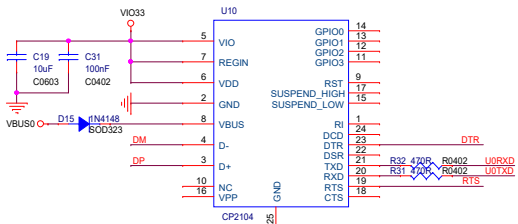
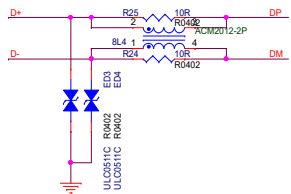
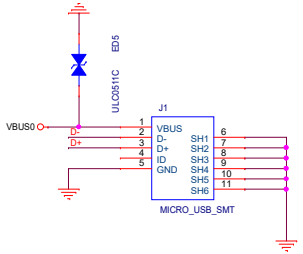


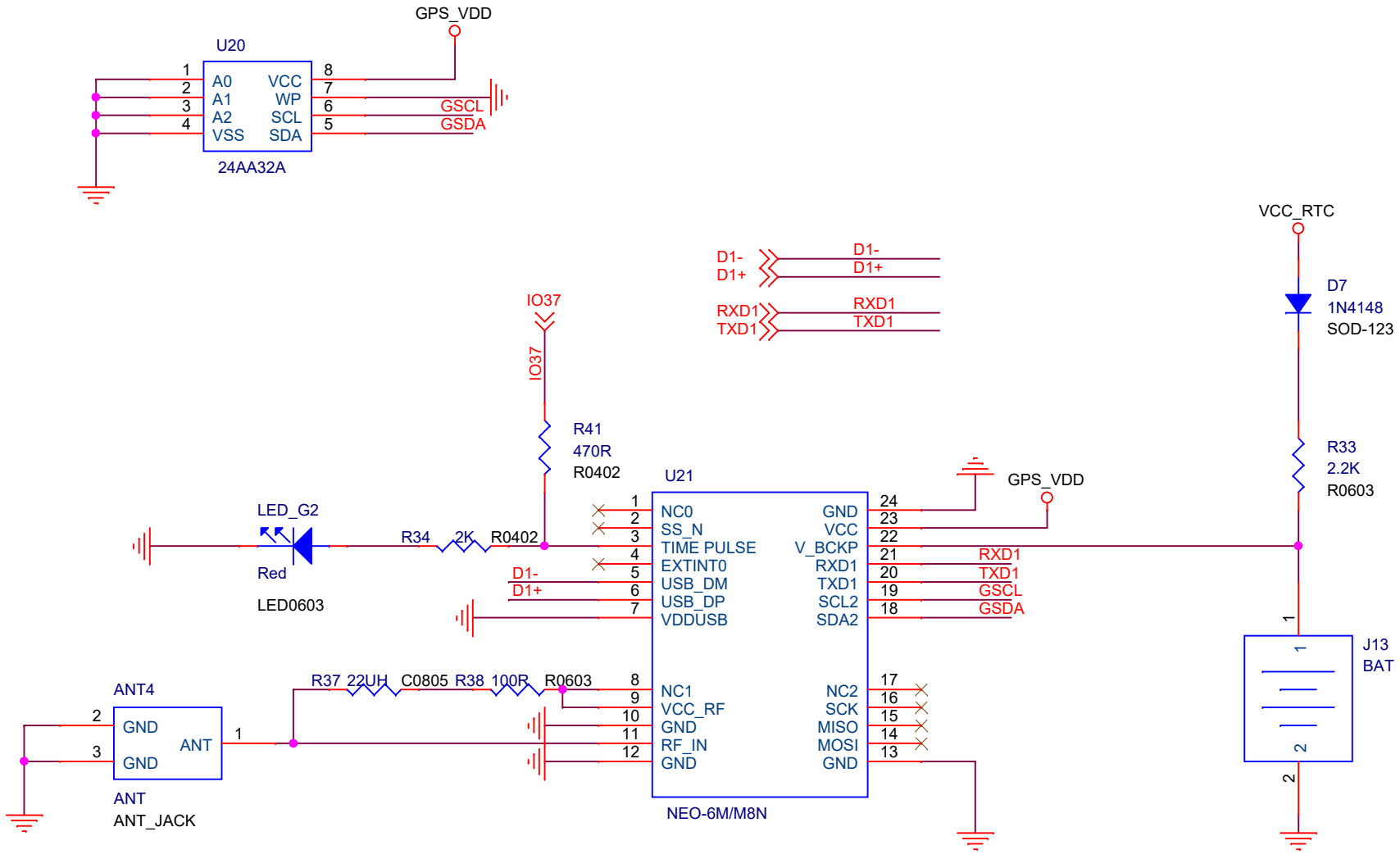
Title		
T22_V08		
Size	Document Number	Rev
A	TTGO LORA	V07
Date:	Wednesday, June 12, 2019	Sheet 1 of 5

PCB POWER WIRE WIDTH INDICATE

-  above 80 miles
-  above 50 miles
-  above 30 miles
-  above 12 miles
-  Under needs







Title		
T22_V08		
Size	Document Number	Rev
A	GPS	V07
Date:	Wednesday, June 12, 2019	Sheet 3 of 5

ESP32 Module:with 1.8V Flash & SRAM
 The operating voltage for signals marked in blue is 1.8V.

