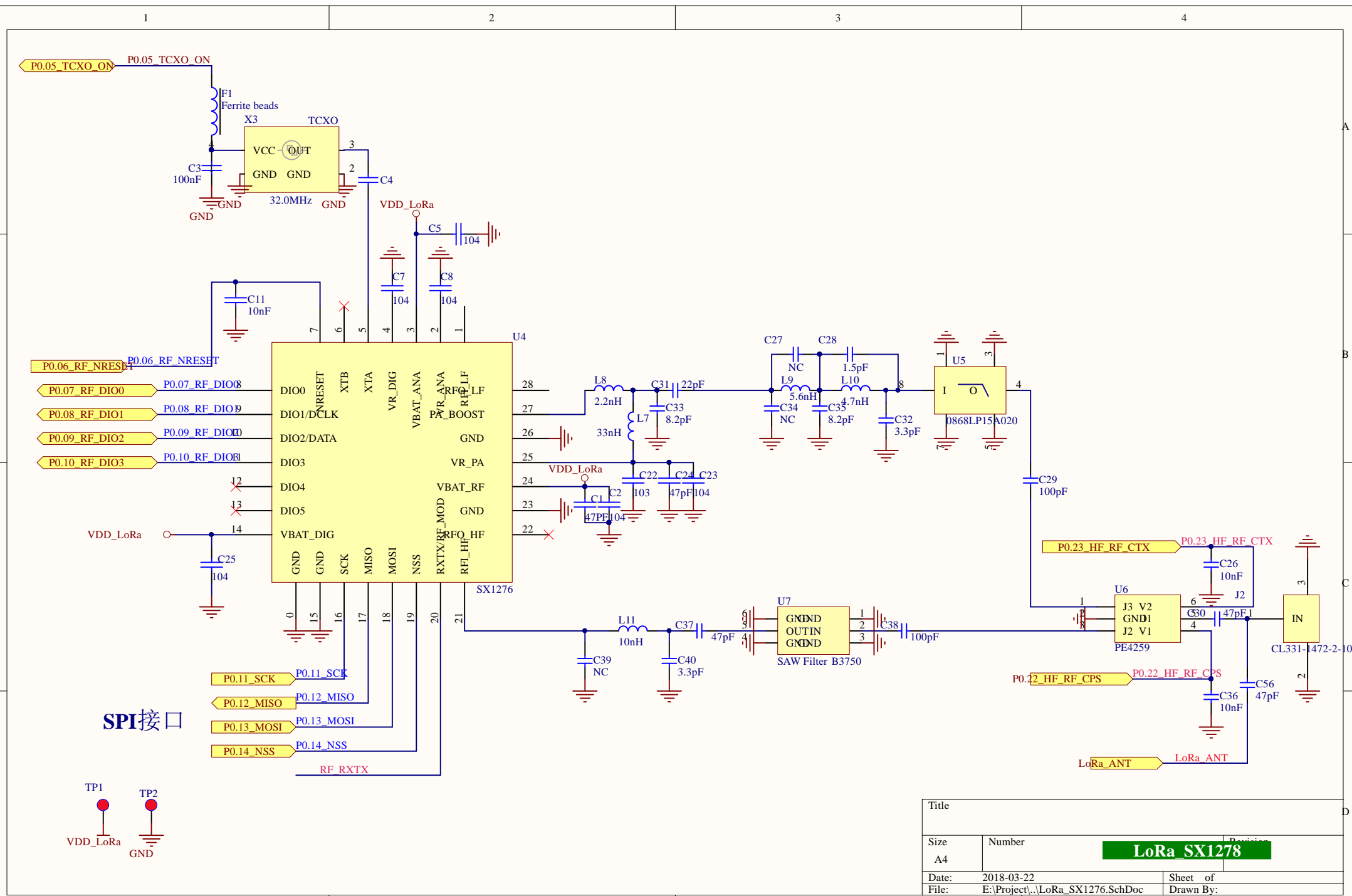
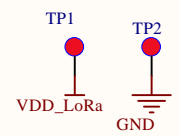


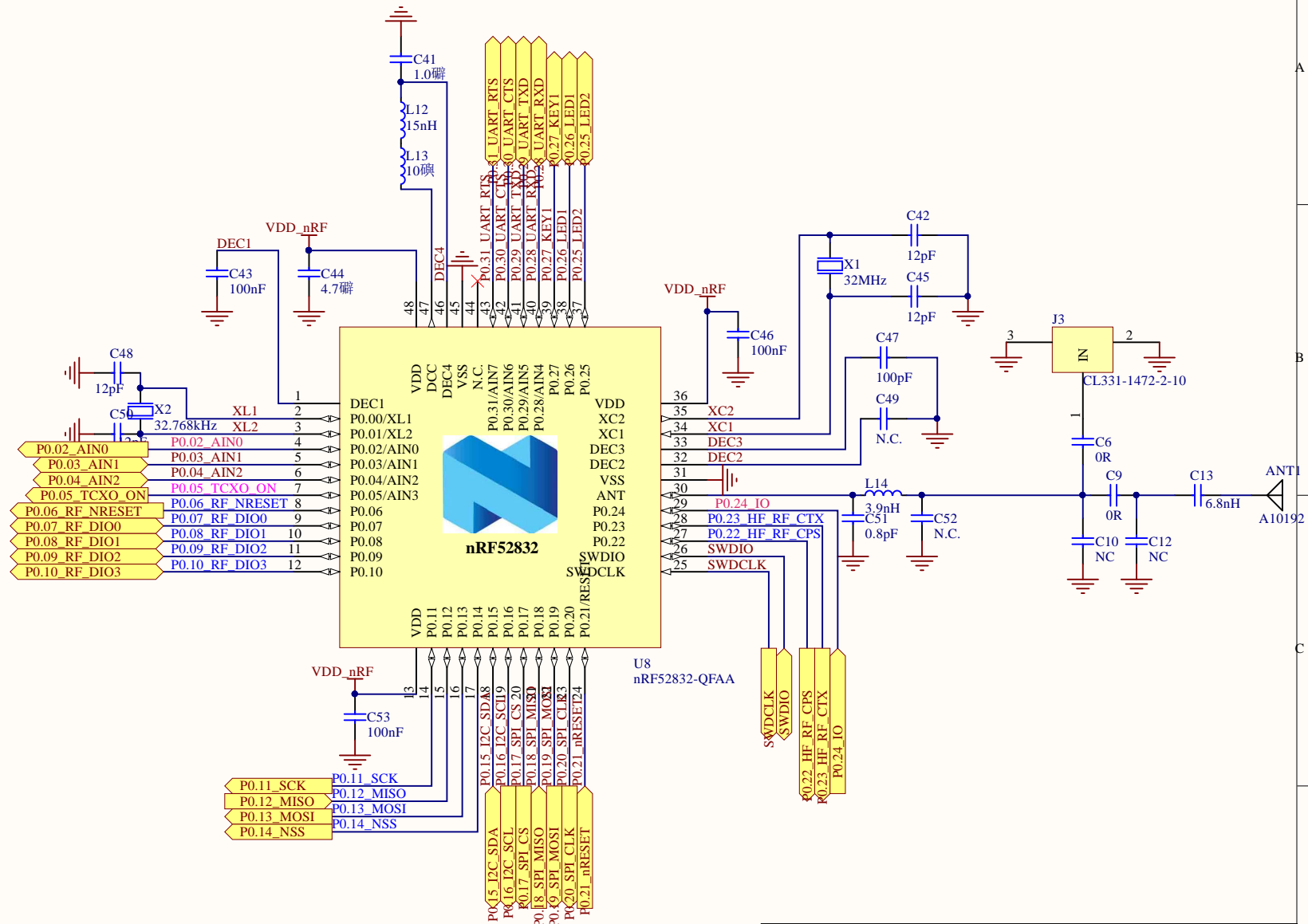
Title		
Size A4	Number	Revision
Date:	2018-03-22	Sheet of
File:	E:\Project\..Interface.SchDoc	Drawn By:



SPI接口



Title			
Size	Number	Revision	
A4		LoRa SX1278	
Date:	2018-03-22	Sheet of	
File:	E:\Project\..LoRa_SX1276.SchDoc	Drawn By:	



- VDD_nRF
- TP3 SWDIO
- TP4 SWDCLK
- TP5 P0.29_UART_TXD
- TP6 P0.28_UART_RXD
- TP7

Title		
BLE_nRF52832		
Size	Number	Revision
A4		
Date:	2018-03-22	Sheet of
File:	E:\Project\..nRF52832.SchDoc	Drawn By: